

# Su soğutmalı kondensерli **Soğuk su üretici gruplar**

E10-102/1.D

Water cooled **Water chillers**

Vidalı kompresörlü • Mikroişlemci kontrollü  
Screw compressors • Microprocessor controlled

Klima sistemleri,  
Proses soğutmaları,  
Sanayi tesisleri ve  
Muhtelif maksatlar için

For air-conditioning systems,  
Process cooling,  
Industrial plants and  
Various purpose



Kapasite aralığı  
Capacity range  
**111.2 kW - 1987.2 kW**



Reg.No.:12 300 0019

## Cihaz Tanımı Unit Description

**E**RBAY Soğuk Su Üretici Grupları, EN ISO 9001:2000 Kalite Yönetim Sisteminin uygulandığı fabrikamızda kapasite tablosundaki soğuk su çıkış sıcaklıklarını verecek şekilde dizayn edilmiştir. Soğutma Gruplarımız fabrikamızda her türlü boru ve kablo bağlantısı, gaz-yağ şarjı ve gerekli testleri yapılmış olarak ve yerine yerleştirmeye hazır halde teslim edilirler. Soğutma Gruplarımız sağlık emniyeti ve güvenlik gereksinimleri konusunda aşağıda belirtilen Avrupa Birliği direktiflerine ve ilgili harmonize standartlara uygundur.

Makine Direktifi (MD)	: 98/37/EC
Açık Gerilim Direktifi (LVD)	: 73/23/EEC
Elektromanyetik Uyumluluk Direktifi (EMC)	: 89/336/EEC
Basınçlı Ekipmanlar Direktifi (PED)	: 97/23/EC

Aşağıdaki kısımlardan müteşekkil olan Soğutma Gruplarının Kapasiteleri 111,2 kW ile 1987,2 kW arasında değişmektedir.

**Soğutma Kompresörü:** Kapasiteye göre 1 veya 2 adet yarı kapalı kompakt vidalı (semi-hermetic compact screw) kompresör kullanılmaktadır. Vidalı kompresör yapısı gereği uzun müddet bakım gerektirmeksizin çalışmaktadır. Hareketli parçaların az olması sebebiyle bakımı kolay ve ekonomiktir. Vidalı Kompresörler; basma kapama vanası, basma hattındaki akışkanın geri dönüşünü engelleyen check valf, yağ seviye switchi, yağ gözetleme camı, yağ ayırıcı, filtre, karter ısıtıcı, kapasite kontrol solenoidleri, titreşim takozları, motor koruma rölesi ve PTC sensörleri ile teçhiz edilmiştir. Gerekli şebeke gerilimi; 3 x 400 V, 50 Hz'dir.

**Kondenser (Yoğuşturucu):** Shell & Tube tipinde imal edilen kondenserler özel yüksek verimli bakır boruların çelik ayna deliklerine özel işlem ile tesbit edilmesi suretiyle üretilmiştir. Kondenserler EN 14276-1 ve EN 13445 standartlarına uygun olarak üretilmektedir.

**Evaporatör:** Shell & Tube tipinde imal edilen direkt genişmeli evaporatörler özel yüksek verimli bakır boruların çelik ayna deliklerine özel işlem ile tesbit edilmesi suretiyle üretilmiştir. Boru demetinin sökülebilir olması bakım ve temizlik imkanı sağlar. EN 14276-1 ve EN 13445 standartlarına uygun olarak imal edilen evaporatörler su ve glikol çözeltilerinin soğutulması için tasarlanmıştır. Evaporatörlerin dış yüzeyi ve kompresör emiş hatları uygun kalınlıkta izolasyon malzemesi kullanılarak izole edilmektedir.

**Elektrik Kumanda Panosu:** IP54 koruma sınıfına göre tasarlanmıştır. Cihazın tam otomatik ve güvenli olarak çalışmasını sağlayacak şekilde güç ve kumanda tarafları olmak üzere iki kısımdan müteşekkildir. Pano yeterli miktarda kontaktör, termik, sigorta ve şalter ile teçhiz edilmiştir. Cihazın panosu ve cihaz içi kablo tesisatı EN 60204-1 standartına uygundur. Gerekli şebeke gerilimi; 3 faz, 400 Volt, 50 Hz'dir.

**Mikroişlemci Kontrol Sistemi:** Cihazda kullanılan mikroişlemci kontrol sistemi sayesinde su giriş ve çıkış sıcaklıkları, emme ve basma tarafındaki gaz basınçları, evaporatörlerde oluşan aşırı ısıtma (superheat) sıcaklığı, kompresörlerin çalışma zamanları, oluşan tüm arızalar ve geçmişte vukubulan tüm arıza kayıtları ekranda dijital olarak görülebilmekte ve kolaylıkla kapasite kontrolü yapılabilmektedir. Ayrıca her kompresörün çalışma süreleri otomatik olarak dengede tutulmakta ve cihazın optimum verimde çalışması sağlanmaktadır.

**Soğutma Devresi Elemanları:** Cihazın otomatik ve güvenli şekilde çalışması için elektronik genişleme valfi, drayer-filtre, gözetleme camı, emniyet ventili, su akış kontrol otomatığı, alçak-yüksek basınç presostatı ve soğutma vafleri konmuştur.

**E**RBAY Water Chillers are designed to provide chilled water leaving temperatures which are given on capacity tables in our factory carrying out EN ISO 9001:2000 Quality Management System. The Units are supplied to ready for installation. All connections, oil and refrigerant charge and required tests are made in our factory. Our units are in conformity with health and safety requirements of following European Union directives and relevant harmonized standards.

Machinery Directive (MD)	: 98/37/EC
Low Voltage Directive (LVD)	: 73/23/EEC
Electromagnetic Compatibility Directive (EMC)	: 89/336/EEC
Pressure Equipment Directive (PED)	: 97/23/EC

The capacity of the Units are varying between 111,2 kW and 1987,2 kW and it's composed of the following parts;

**Cooling Compressor:** 1 or 2 pieces semi-hermetic compact screw compressors are used according to capacity. Screw compressors as it's characteristics can operate without maintenance need for a long time. Maintenance of the screw compressors are quite simple because of the less amount of the moving parts in it. Screw compressors are equipped with discharge shut-off valve, check-valve that prevents to return back of the refrigerant from the discharge line, oil level switch, oil sight glass, oil separator, oil filter, crankcase heater, capacity control solenoids, vibration dampers, motor protection device and temperature sensors (PTC). Required power supply is 3 ph, 400 Volt, 50 Hz.

**Condenser:** Manufactured in Shell & Tube form and special high efficient copper tubes are fixed to grooved steel tubesheet holes with tube expander method. Condensers are in conformity with EN 14276-1 and EN 13445 standards.

**Evaporator:** Direct expansion evaporator is manufactured in Shell & Tube form and special high efficient copper tubes are fixed to grooved steel tubesheet holes with tube expander method. It's allowed to maintenance and clean up because of the removable tube bundle. Evaporators are in conformity with EN 14276-1 and EN 13445 standards and designed for chilling water and glycol brines. External surface of evaporators and suction lines are insulated with insulation material with suitable thickness.

**Electrical Control Panel:** The panel is designed to IP54. To operate the Unit automatically and securely, the panel is composed of two different section. The first section is power section and the other one is control section. The panel is equipped with enough number of contactors, thermics, fuses and on-off switches. The panel and wiring are in conformity with EN 60204-1 standart. Required power supply is 3 ph, 400 Volt, 50 Hz.

**Microprocessor Control System:** Microprocessor control system is used on the Unit. By means of this; entering and leaving water temperatures, refrigerant pressures on the suction and discharge lines, occurred superheat temperature, operating times of compressors, all faults occurred on the system and all alarm history can be seen on the digital screen and also capacity control can be made easily. Besides the operating times of each compressor is balanced automatically and optimum efficient operation of the Unit is provided.

**Components of the Cooling Circuit:** To operate the Unit automatically and securely; electronic expansion valve, drier-filter, sight glass, relief valve, flow-switch, high-low pressure switch and shut-off valves are included.

## Teknik Özellikler Technical Specifications

CIHAZ TİPİ TYPE	EBSV-50.1	EBSV-60.1	EBSV-70.1	EBSV-80.1	EBSV-90.1	EBSV-110.1	EBSV-125.1	EBSV-140.1	EBSV-180.1	EBSV-210.1	EBSV-240.1	EBSV-280.1	EBSV-300.1	EBSV-180.2	EBSV-210.2	EBSV-240.2	EBSV-280.2	EBSV-300.2
	3 kademe veya süreklili 3 steps or infinite																	
Nominal Kapasite (kW)	124,1	153,5	178,2	210,3	238,3	298,0	342,6	390,0	511,8	570,9	673,1	764,0	860,7	1023,6	1186,6	1346,2	1528,0	1721,4
Nominal Capacity	127,8	160,0	187,9	216,6	248,3	309,4	352,7	406,4	531,2	610,8	701,3	780,1	878,0	1062,4	1221,6	1402,6	1560,2	1756,0
Kompresör Adedi Number of Compressors	1	1	1	1	1	1	1	1	1	1	1	1	1	2	2	2	2	2
Nominal Kompresör Gücü (kW)	29,7	36,5	42,5	49,3	55,4	66,9	76,8	86,7	112,9	129,5	146,9	167,2	187,3	225,8	261,2	293,8	334,4	374,6
Nominal Power Input of Compressor	31,2	38,1	43,6	51,7	57,8	68,7	80,5	90,5	115,9	136,8	153,4	174,2	195,1	231,8	273,6	306,8	348,4	390,2
Kapasite Kontrol Capacity Control	4 kademe veya süreklili 4 steps or infinite																	
Nominal Evaporatör Su Debisi (m <sup>3</sup> /h)	21,34	26,40	30,65	36,17	40,98	51,25	58,92	67,08	88,02	98,19	115,77	131,40	148,04	176,05	204,09	231,54	262,81	296,08
Nominal Evaporator Water Flowrate	21,98	27,52	32,31	37,25	42,70	53,21	60,66	69,90	91,36	105,05	120,62	134,17	151,01	182,73	210,11	241,24	268,35	302,03
Nominal Kondenser Su Debisi (m <sup>3</sup> /h)	25,6	34,1	39,8	42,7	49,1	65,1	74,5	85,5	100,3	107,1	116,7	126,3	131,8	200,6	214,2	233,4	252,6	263,6
Nominal Condenser Water Flowrate	1	1	1	1	1	1	1	1	1	1	1	1	1	2	2	2	2	2
Söğütme Devre Sayısı Number of Cooling Circuits	36	41	58	59	60	63	83	86	116	148	166	202	215	232	296	332	404	430
Söğütücü Gaz Miktarı (kg) Refrigerant Charge	9	9	15	15	15	22	22	22	35	35	35	35	35	70	70	70	70	70
Yağ Miktarı (lt) Oil Charge	54	59	59	59	60	60	62	64	65	65	67	67	67	68	68	68	70	70
Cihaz Ses Seviyesi dB(A) Sound Pressure Level	1020	1075	1430	1465	1510	1975	2200	2260	3060	3280	3550	3935	4300	6440	6880	7430	8200	8915
İşletme Ağırlığı ~ (kg) Operating Weight																		

(1) Evaporatöre su giriş / çıkış 12/17°C, kondensere su giriş sıcaklığı 28°C'ye göre verilmiştir.

Values are based on evaporator entering/leaving water temp. 12°C/17°C and condenser entering water temp. 28°C

(2) Evaporasyon ve kondensasyon sıcaklığının çığ noktasındaki değerlerine göre verilmiştir.

Values are based on the Dew Point of evaporating and condensing temperatures.

(3) Boş alanda 10 metre mesafedeki değerlere göre verilmiştir.

Values are based on freefield conditions in 10 meter distance.

Not: Gerekli şebeke gerilimi 3 faz - 400 Volt - 50 Hz'dir

Note: Required power supply is 3 ph - 400 Volt - 50 Hz.

## Kapasite Tablosu Capacity Table (kW)

R407C

CİHAZ TİPİ TYPE	SU ÇIKIŞI °C CHILLED WATER LEAVING	KONDENSERE SU GİRİŞ SICAKLIĞI / CONDENSER ENTERING WATER TEMP.																	
		25°C		26°C		27°C		28°C		29°C		30°C		31°C		32°C		33°C	
		Q	N <sub>0</sub>	Q	N <sub>0</sub>	Q	N <sub>0</sub>	Q	N <sub>0</sub>	Q	N <sub>0</sub>	Q	N <sub>0</sub>	Q	N <sub>0</sub>	Q	N <sub>0</sub>	Q	N <sub>0</sub>
EBSV-50Y.1	6	124.0	27.8	122.5	28.3	120.9	28.9	119.4	29.5	117.8	30.1	116.2	30.7	114.6	31.3	112.9	32.0	111.2	32.6
	7	128.8	28.0	127.3	28.6	125.7	29.1	124.1	29.7	122.5	30.3	120.8	30.9	119.1	31.6	117.4	32.2	115.7	32.9
	8	133.7	28.3	132.2	28.9	130.6	29.4	128.9	30.0	127.3	30.6	125.6	31.2	123.8	31.8	122.1	32.5	120.3	33.1
	9	138.8	28.6	137.2	29.1	135.6	29.7	133.9	30.3	132.2	30.9	130.5	31.5	128.7	32.1	126.9	32.7	125.1	33.4
	10	144.1	28.9	142.4	29.4	140.7	30.0	139.0	30.6	137.3	31.2	135.5	31.8	133.7	32.4	131.8	33.0	130.0	33.7
EBSV-60Y.1	6	153.2	34.1	151.4	34.8	149.6	35.5	147.7	36.2	145.9	36.9	144.0	37.7	142.1	38.4	140.1	39.2	138.2	40.1
	7	159.1	34.4	157.3	35.1	155.4	35.8	153.5	36.5	151.6	37.2	149.6	38.0	147.6	38.7	145.6	39.5	143.6	40.3
	8	165.2	34.8	163.3	35.4	161.3	36.1	159.4	36.8	157.4	37.5	155.4	38.3	153.4	39.0	151.3	39.8	149.2	40.6
	9	171.4	35.1	169.5	35.8	167.5	36.5	165.5	37.2	163.4	37.9	161.3	38.6	159.2	39.4	157.1	40.2	155.0	41.0
	10	177.8	35.5	175.8	36.2	173.8	36.8	171.7	37.5	169.6	38.3	167.5	39.0	165.3	39.7	163.1	40.5	160.9	41.3
EBSV-70Y.1	6	178.0	39.7	175.8	40.5	173.6	41.4	171.4	42.2	169.1	43.1	166.8	44.1	164.5	45.0	162.2	46.0	159.8	47.0
	7	184.9	40.0	182.7	40.8	180.4	41.7	178.2	42.5	175.8	43.4	173.5	44.3	171.1	45.2	168.7	46.2	166.3	47.2
	8	192.0	40.3	189.8	41.1	187.5	41.9	185.1	42.8	182.7	43.7	180.3	44.6	177.9	45.5	175.4	46.5	172.9	47.4
	9	199.4	40.7	197.0	41.4	194.7	42.3	192.3	43.1	189.8	44.0	187.4	44.8	184.9	45.8	182.4	46.7	179.8	47.7
	10	206.9	41.0	204.5	41.8	202.1	42.6	199.6	43.4	197.2	44.3	194.6	45.1	192.1	46.0	189.5	47.0	186.9	48.0
EBSV-80Y.1	6	210.1	46.0	207.6	46.9	205.0	47.9	202.4	48.8	199.7	49.8	197.0	50.9	194.2	51.9	191.4	53.0	188.6	54.1
	7	218.2	46.4	215.6	47.4	213.0	48.3	210.3	49.3	207.6	50.3	204.8	51.3	202.0	52.3	199.1	53.4	196.2	54.5
	8	226.6	46.9	224.0	47.8	221.3	48.7	218.5	49.7	215.7	50.7	212.8	51.7	209.9	52.7	207.0	53.8	204.0	54.9
	9	235.2	47.4	232.5	48.3	229.7	49.2	226.9	50.2	224.0	51.2	221.1	52.2	218.1	53.2	215.1	54.2	212.1	55.3
	10	244.1	47.9	241.3	48.8	238.5	49.7	235.6	50.7	232.6	51.6	229.6	52.6	226.6	53.7	223.5	54.7	220.3	55.8
EBSV-90Y.1	6	237.8	51.8	235.0	52.8	232.2	53.8	229.4	54.9	226.5	56.0	223.6	57.1	220.6	58.3	217.6	59.5	214.6	60.8
	7	247.0	52.2	244.1	53.3	241.2	54.3	238.3	55.4	235.3	56.5	232.3	57.6	229.3	58.8	226.2	60.0	223.1	61.2
	8	256.4	52.7	253.4	53.8	250.4	54.8	247.4	55.9	244.4	57.0	241.3	58.1	238.1	59.3	235.0	60.5	231.8	61.7
	9	266.0	53.3	263.0	54.3	260.0	55.3	256.8	56.4	253.7	57.5	250.5	58.6	247.3	59.8	244.0	61.0	240.7	62.2
	10	276.0	53.9	272.9	54.9	269.7	55.9	266.5	57.0	263.3	58.1	260.0	59.2	256.7	60.3	253.3	61.5	249.9	62.7
EBSV-110Y.1	6	297.0	62.5	293.6	63.8	290.2	65.2	286.8	66.5	283.2	67.9	279.6	69.4	276.0	70.8	272.2	72.4	268.4	73.9
	7	308.5	63.0	305.0	64.3	301.6	65.6	298.0	66.9	294.4	68.3	290.7	69.8	287.0	71.2	283.2	72.8	279.3	74.3
	8	320.3	63.5	316.8	64.7	313.2	66.0	309.6	67.4	305.9	68.8	302.2	70.2	298.4	71.6	294.5	73.1	290.5	74.7
	9	332.5	64.0	328.9	65.2	325.2	66.5	321.5	67.8	317.8	69.2	313.9	70.6	310.0	72.1	306.0	73.5	302.0	75.1
	10	345.0	64.5	341.3	65.8	337.6	67.0	333.8	68.3	329.9	69.7	326.0	71.1	322.0	72.5	318.0	74.0	313.8	75.5
EBSV-125Y.1	6	342.2	71.7	338.1	73.1	333.9	74.6	329.7	76.1	325.3	77.7	320.9	79.3	316.4	80.9	311.8	82.6	307.2	84.3
	7	355.5	72.4	351.3	73.8	347.0	75.3	342.6	76.8	338.2	78.3	333.6	79.9	329.0	81.6	324.3	83.2	319.6	84.9
	8	369.2	73.1	364.9	74.5	360.5	76.0	356.0	77.5	351.4	79.0	346.7	80.6	342.0	82.2	337.2	83.9	332.3	85.6
	9	383.2	73.8	378.8	75.2	374.3	76.7	369.7	78.2	365.0	79.7	360.2	81.3	355.4	82.9	350.4	84.6	345.4	86.3
	10	397.7	74.6	393.1	76.0	388.5	77.5	383.8	79.0	379.0	80.5	374.1	82.0	369.1	83.6	364.0	85.3	358.9	87.0
EBSV-140Y.1	6	389.2	81.0	384.7	82.6	380.1	84.3	375.4	85.9	370.7	87.7	365.9	89.5	361.1	91.3	356.2	93.2	351.3	95.1
	7	404.2	81.8	399.5	83.4	394.8	85.0	390.0	86.7	385.1	88.4	380.2	90.2	375.2	92.0	370.2	93.9	365.1	95.8
	8	419.6	82.6	414.8	84.2	409.9	85.8	405.0	87.5	399.9	89.2	394.9	90.9	389.8	92.8	384.6	94.6	379.3	96.6
	9	435.4	83.4	430.4	85.0	425.4	86.6	420.4	88.3	415.2	90.0	410.0	91.8	404.7	93.6	399.4	95.4	394.0	97.3
	10	451.7	84.3	446.6	85.9	441.4	87.5	436.2	89.2	430.9	90.9	425.5	92.6	420.1	94.4	414.6	96.3	409.0	98.1
EBSV-180Y.1	6	510.0	105.6	504.2	107.7	498.4	110.0	492.4	112.2	486.3	114.6	480.2	117.0	473.9	119.5	467.4	122.1	460.9	124.7
	7	529.7	106.3	523.9	108.5	517.9	110.7	511.8	112.9	505.6	115.3	499.3	117.7	492.8	120.2	486.3	122.7	479.6	125.3
	8	550.1	107.1	544.1	109.2	537.9	111.4	531.7	113.7	525.4	116.0	518.9	118.4	512.3	120.8	505.6	123.4	498.8	126.0
	9	571.0	107.9	564.8	110.0	558.6	112.2	552.2	114.4	545.7	116.7	539.1	119.1	532.4	121.5	525.5	124.1	518.5	126.6
	10	592.5	108.8	586.2	110.9	579.8	113.0	573.2	115.2	566.6	117.5	559.8	119.9	553.0	122.3	546.0	124.8	538.8	127.3

Q= Soğutma kapasitesi (kW) Cooling capacity  
N<sub>0</sub>= Kompresör mil gücü (kW) Power input

## Kapasite Tablosu Capacity Table (kW)

R407C

CİHAZ TİPİ TYPE	SU ÇIKIŞI °C CHILLED WATER LEAVING	KONDENSERE SU GİRİŞ SICAKLIĞI / CONDENSER ENTERING WATER TEMP.																	
		25°C		26°C		27°C		28°C		29°C		30°C		31°C		32°C		33°C	
		Q	N <sub>0</sub>	Q	N <sub>0</sub>	Q	N <sub>0</sub>	Q	N <sub>0</sub>	Q	N <sub>0</sub>	Q	N <sub>0</sub>	Q	N <sub>0</sub>	Q	N <sub>0</sub>	Q	N <sub>0</sub>
EBSV-210Y.1	6	592.6	122.0	585.5	124.4	578.3	126.9	570.9	129.5	563.4	132.2	555.7	134.9	548.0	137.6	540.1	140.5	532.1	143.4
	7	615.5	123.1	608.3	125.5	600.9	128.0	593.3	130.6	585.6	133.2	577.8	136.0	569.8	138.7	561.7	141.6	553.5	144.5
	8	639.2	124.3	631.7	126.7	624.1	129.2	616.4	131.8	608.5	134.4	600.5	137.1	592.3	139.9	584.0	142.7	575.6	145.6
	9	663.5	125.5	655.8	127.9	648.1	130.4	640.1	133.0	632.0	135.6	623.8	138.3	615.4	141.0	606.9	143.8	598.3	146.7
	10	688.5	126.9	680.7	129.3	672.7	131.8	664.5	134.3	656.2	136.9	647.8	139.6	639.2	142.3	630.4	145.1	621.6	147.9
EBSV-240Y.1	6	671.7	137.4	663.9	140.1	656.0	142.9	647.9	145.7	639.8	148.7	631.6	151.7	623.3	154.8	614.9	158.0	606.4	161.3
	7	697.5	138.6	689.5	141.3	681.3	144.1	673.1	146.9	664.7	149.9	656.2	152.9	647.7	156.0	639.0	159.2	630.3	162.5
	8	724.0	140.0	715.8	142.7	707.4	145.4	698.9	148.3	690.3	151.2	681.6	154.2	672.7	157.3	663.8	160.4	654.8	163.7
	9	751.4	141.4	742.9	144.1	734.2	146.8	725.5	149.7	716.6	152.6	707.6	155.5	698.5	158.6	689.3	161.8	680.0	165.0
	10	779.5	142.9	770.7	145.6	761.8	148.3	752.8	151.2	743.7	154.0	734.4	157.0	725.0	160.0	715.6	163.2	706.0	166.4
EBSV-280Y.1	6	761.7	156.6	753.0	159.7	744.2	162.8	735.3	166.0	726.3	169.2	717.1	172.6	707.8	176.0	698.4	179.6	688.9	183.2
	7	790.9	157.9	782.1	161.0	773.1	164.1	764.0	167.2	754.7	170.5	745.3	173.9	735.8	177.3	726.2	180.8	716.4	184.4
	8	821.0	159.3	812.0	162.3	802.7	165.4	793.4	168.6	783.9	171.8	774.3	175.2	764.6	178.6	754.8	182.1	744.8	185.7
	9	852.0	160.8	842.7	163.8	833.3	166.8	823.7	170.0	814.0	173.2	804.2	176.5	794.2	179.9	784.1	183.4	773.9	187.0
	10	883.8	162.3	874.3	165.2	864.6	168.3	854.8	171.4	844.9	174.6	834.8	177.9	824.6	181.3	814.3	184.8	803.8	188.4
EBSV-300Y.1	6	857.3	175.2	847.9	178.7	838.4	182.2	828.8	185.9	819.1	189.7	809.4	193.5	799.6	197.5	789.6	202.0	779.6	206.0
	7	890.0	176.7	880.3	180.1	870.5	183.7	860.7	187.3	850.7	191.1	840.7	194.9	830.6	198.9	820.4	203.0	810.1	207.0
	8	923.6	178.3	913.6	181.7	903.6	185.2	893.4	188.8	883.2	192.5	872.9	196.4	862.5	200.0	852.0	204.0	841.4	209.0
	9	958.1	179.9	947.9	183.3	937.5	186.8	927.1	190.4	916.6	194.1	906.0	197.9	895.3	202.0	884.5	206.0	873.7	210.0
	10	993.6	181.6	983.1	185.0	972.5	188.4	961.8	192.0	950.9	195.7	940.0	199.4	929.0	203.0	917.9	207.0	906.8	211.0
EBSV-180Y.2	6	1020.0	105,6x2	1008.4	107,7x2	996.8	110,0x2	984.8	112,2x2	972.6	114,6x2	960.4	117,0x2	947.8	119,5x2	934.8	122,1x2	921.8	124,7x2
	7	1059.4	106,0x2	1047.8	108,5x2	1035.8	110,7x2	1023.6	112,9x2	1011.2	115,3x2	998.6	117,7x2	985.6	120,2x2	972.6	122,7x2	959.2	125,3x2
	8	1100.2	107,1x2	1088.2	109,2x2	1075.8	111,4x2	1063.4	113,7x2	1050.8	116,0x2	1037.8	118,4x2	1024.6	120,8x2	1011.2	123,4x2	997.6	126,0x2
	9	1142.0	107,9x2	1129.6	110,0x2	1117.2	112,2x2	1104.4	114,4x2	1091.4	116,7x2	1078.2	119,1x2	1064.8	121,5x2	1051.0	124,1x2	1037.0	126,6x2
	10	1185.0	108,8x2	1172.4	110,9x2	1159.6	113,0x2	1146.4	115,2x2	1133.2	117,5x2	1119.6	119,9x2	1106.0	122,3x2	1092.0	124,8x2	1077.6	127,3x2
EBSV-210Y.2	6	1185.2	122,0x2	1171.0	124,4x2	1156.6	126,9x2	1141.8	129,5x2	1126.8	132,2x2	1111.4	134,9x2	1096.0	137,6x2	1080.2	140,5x2	1064.2	143,4x2
	7	1231.0	123,1x2	1216.6	125,5x2	1201.8	128,0x2	1186.6	130,6x2	1171.2	133,2x2	1155.6	136,0x2	1139.6	138,7x2	1123.4	141,6x2	1107.0	144,5x2
	8	1278.4	124,3x2	1263.4	126,7x2	1248.2	129,2x2	1232.8	131,8x2	1217.0	134,4x2	1201.0	137,1x2	1184.6	139,9x2	1168.0	142,7x2	1151.2	145,6x2
	9	1327.0	125,5x2	1311.6	127,9x2	1296.2	130,4x2	1280.2	133,0x2	1264.0	135,6x2	1247.6	138,3x2	1230.8	141,0x2	1213.8	143,8x2	1196.6	146,7x2
	10	1377.0	126,9x2	1361.4	129,3x2	1345.4	131,8x2	1329.0	134,3x2	1312.4	136,9x2	1295.6	139,6x2	1278.4	142,3x2	1260.8	145,1x2	1243.2	147,9x2
EBSV-240Y.2	6	1343.4	137,4x2	1327.8	140,1x2	1312.0	142,9x2	1295.8	145,7x2	1279.6	148,7x2	1263.2	151,7x2	1246.6	154,8x2	1229.8	158,0x2	1212.8	161,3x2
	7	1395.0	138,6x2	1379.0	141,3x2	1362.6	144,1x2	1346.2	146,9x2	1329.4	149,9x2	1312.4	152,9x2	1295.4	156,0x2	1278.0	159,2x2	1260.6	162,5x2
	8	1448.0	140,0x2	1431.6	142,7x2	1414.8	145,4x2	1397.8	148,3x2	1380.6	151,2x2	1363.2	154,2x2	1345.4	157,3x2	1327.6	160,4x2	1309.6	163,7x2
	9	1502.8	141,4x2	1485.8	144,1x2	1468.4	146,8x2	1451.0	149,7x2	1433.2	152,6x2	1415.2	155,5x2	1397.0	158,6x2	1378.6	161,8x2	1360.0	165,0x2
	10	1559.0	142,9x2	1541.4	145,6x2	1523.6	148,3x2	1505.6	151,2x2	1487.4	154,0x2	1468.8	157,0x2	1450.0	160,0x2	1431.2	163,2x2	1412.0	166,4x2
EBSV-280Y.2	6	1523.4	156,6x2	1506.0	159,7x2	1488.4	162,8x2	1470.6	166,0x2	1452.6	169,2x2	1434.2	172,6x2	1415.6	176,0x2	1396.8	179,6x2	1377.8	183,2x2
	7	1581.8	157,9x2	1564.2	161,0x2	1546.2	164,1x2	1528.0	167,2x2	1509.4	170,5x2	1490.6	173,9x2	1471.6	177,3x2	1452.4	180,8x2	1432.8	184,4x2
	8	1642.0	159,3x2	1624.0	162,3x2	1605.4	165,4x2	1586.8	168,6x2	1567.8	171,8x2	1548.6	175,2x2	1529.2	178,6x2	1509.6	182,1x2	1489.6	185,7x2
	9	1704.0	160,8x2	1685.4	163,8x2	1666.6	166,8x2	1647.4	170,0x2	1628.0	173,2x2	1608.4	176,5x2	1588.4	179,9x2	1568.2	183,4x2	1547.8	187,0x2
	10	1767.6	162,3x2	1748.6	165,2x2	1729.2	168,3x2	1709.6	171,4x2	1689.8	174,6x2	1669.6	177,9x2	1649.2	181,3x2	1628.6	184,8x2	1607.6	188,4x2
EBSV-300Y.2	6	1714.6	175,2x2	1695.8	178,7x2	1676.8	182,2x2	1657.6	185,9x2	1638.2	189,7x2	1618.8	193,5x2	1599.2	197,5x2	1579.2	202,0x2	1559.2	206,0x2
	7	1780.0	176,7x2	1760.6	180,1x2	1741.0	183,7x2	1721.4	187,3x2	1701.4	191,1x2	1681.4	194,9x2	1661.2	198,9x2	1640.8	203,0x2	1620.2	207,0x2
	8	1847.2	178,3x2	1827.2	181,7x2	1807.2	185,2x2	1786.8	188,8x2	1766.4	192,5x2	1745.8	196,4x2	1725.0	200,0x2	1704.0	204,0x2	1682.8	209,0x2
	9	1916.2	179,9x2	1895.8	183,3x2	1875.0	186,8x2	1854.2	190,4x2	1833.2	194,1x2	1812.0	197,9x2	1790.6	202,0x2	1769.0	206,0x2	1747.4	210,0x2
	10	1987.2	181,6x2	1966.2	185,0x2	1945.0	188,4x2	1923.6	192,0x2	1901.8	195,7x2	1880.0	199,4x2	1858.0	203,0x2	1835.8	207,0x2	1813.6	211,0x2

Q= Soğutma kapasitesi (kW) Cooling capacity  
N<sub>0</sub>= Kompresör mil gücü (kW) Power input

## Kapasite Tablosu Capacity Table (kW)

R22

CİHAZ TİPİ TYPE	SU ÇIKIŞI °C CHILLED WATER LEAVING	KONDENSERE SU GİRİŞ SICAKLIĞI / CONDENSER ENTERING WATER TEMP.																	
		25°C		26°C		27°C		28°C		29°C		30°C		31°C		32°C		33°C	
		Q	N <sub>0</sub>	Q	N <sub>0</sub>	Q	N <sub>0</sub>	Q	N <sub>0</sub>	Q	N <sub>0</sub>	Q	N <sub>0</sub>	Q	N <sub>0</sub>	Q	N <sub>0</sub>	Q	N <sub>0</sub>
EBSV-50.1	6	127.5	29.3	126.1	29.8	124.7	30.4	123.2	30.9	121.8	31.5	120.3	32.1	118.8	32.7	117.2	33.3	115.7	34.0
	7	132.1	29.5	130.7	30.1	129.2	30.6	127.8	31.2	126.2	31.8	124.7	32.3	123.2	33.0	121.6	33.6	120.0	34.2
	8	136.9	29.8	135.4	30.3	133.9	30.9	132.4	31.4	130.8	32.0	129.3	32.3	127.7	33.2	126.1	33.8	124.5	34.4
	9	141.7	30.1	140.2	30.6	138.7	31.2	137.1	31.7	135.5	32.3	133.9	32.9	132.3	33.5	130.7	34.1	129.0	34.7
	10	146.6	30.4	145.1	30.9	143.5	31.4	142.0	32.0	140.3	32.6	138.7	33.1	137.0	33.7	135.4	34.3	133.7	34.9
EBSV-60.1	6	159.1	35.7	157.6	36.4	156.1	37.1	154.5	37.9	152.9	38.6	151.2	39.4	149.5	40.2	147.8	41.0	146.1	41.8
	7	164.7	36.0	163.2	36.6	161.6	37.4	160.0	38.1	158.3	38.8	156.6	39.6	154.9	40.4	153.1	41.2	151.4	42.0
	8	170.4	36.2	168.8	36.9	167.2	37.6	165.6	38.3	163.9	39.0	162.1	39.8	160.4	40.6	158.6	41.4	156.8	42.2
	9	176.3	36.4	174.6	37.1	173.0	37.8	171.3	38.5	169.6	39.3	167.8	40.0	166.0	40.8	164.2	41.6	162.3	42.4
	10	182.3	36.7	180.6	37.4	178.9	38.1	177.2	38.8	175.4	39.5	173.6	40.3	171.8	41.0	169.9	41.8	168.0	42.6
EBSV-70.1	6	187.8	41.1	185.6	41.8	183.3	42.6	181.0	43.3	178.7	44.1	176.2	44.9	173.8	45.7	171.3	46.5	168.8	47.4
	7	194.8	41.5	192.6	42.2	190.2	42.9	187.9	43.6	185.5	44.4	183.0	45.2	180.5	46.0	178.0	46.8	175.4	47.7
	8	202.0	41.9	199.7	42.6	197.3	43.3	194.9	44.0	192.5	44.8	190.0	45.5	187.4	46.3	184.8	47.2	182.2	48.0
	9	209.3	42.3	207.0	43.0	204.6	43.7	202.1	44.4	199.6	45.1	197.1	45.9	194.5	46.7	191.8	47.5	189.1	48.4
	10	216.8	42.7	214.5	43.4	212.0	44.1	209.5	44.8	207.0	45.5	204.4	46.3	201.7	47.1	199.0	47.9	196.3	48.8
EBSV-80.1	6	216.2	48.5	213.8	49.4	211.4	50.3	208.9	51.2	206.4	52.2	203.9	53.2	201.4	54.2	198.8	55.2	196.2	56.3
	7	223.9	48.9	221.5	49.8	219.1	50.7	216.6	51.7	214.0	52.6	211.4	53.6	208.8	54.6	206.2	55.6	203.5	56.7
	8	231.9	49.4	229.4	50.3	226.9	51.2	224.4	52.1	221.8	53.0	219.2	54.0	216.5	55.0	213.8	56.0	211.1	57.1
	9	240.1	49.9	237.6	50.7	235.0	51.6	232.4	52.5	229.7	53.5	227.0	54.4	224.3	55.4	221.6	56.4	218.8	57.5
	10	248.5	50.4	245.9	51.2	243.3	52.1	240.6	53.0	237.9	53.9	235.1	54.9	232.3	55.9	229.5	56.9	226.7	57.9
EBSV-90.1	6	247.0	54.2	244.7	55.3	242.3	56.4	239.8	57.5	237.3	58.6	234.8	59.8	232.2	61.0	229.6	62.2	226.9	63.4
	7	255.6	54.6	253.3	55.6	250.8	56.7	248.3	57.8	245.7	58.9	243.1	60.1	240.5	61.3	237.8	62.5	235.1	63.7
	8	264.5	54.9	262.0	56.0	259.5	57.0	257.0	58.1	254.4	59.3	251.7	60.4	249.0	61.6	246.3	62.8	243.5	64.0
	9	273.6	55.3	271.1	56.3	268.5	57.4	265.9	58.5	263.2	59.6	260.5	60.7	257.7	61.9	254.9	63.1	252.0	64.4
	10	282.9	55.7	280.3	56.7	277.7	57.8	275.0	58.8	272.3	60.0	269.5	61.1	266.6	62.3	263.8	63.5	260.8	64.7
EBSV-110.1	6	309.3	64.8	305.6	65.9	301.9	67.0	298.1	68.2	294.2	69.4	290.2	70.7	286.2	71.9	282.1	73.3	277.9	74.6
	7	320.8	65.4	317.1	66.5	313.3	67.6	309.4	68.7	305.4	69.9	301.4	71.2	297.3	72.5	293.1	73.8	288.8	75.1
	8	332.6	66.0	328.8	67.1	324.9	68.2	321.0	69.3	316.9	70.5	312.8	71.7	308.6	73.0	304.4	74.3	300.0	75.6
	9	344.6	66.6	340.8	67.7	336.9	68.8	332.8	69.9	328.7	71.1	324.5	72.3	320.3	73.6	315.9	74.9	311.5	76.2
	10	357.0	67.3	353.1	68.3	349.1	69.4	345.0	70.6	340.8	71.7	336.5	72.9	332.2	74.2	327.7	75.5	323.2	76.8
EBSV-125.1	6	352.0	75.5	348.2	76.9	344.3	78.3	340.3	79.8	336.2	81.3	332.1	82.9	328.0	84.4	323.8	86.0	319.5	87.7
	7	364.7	76.2	360.8	77.6	356.8	79.0	352.7	80.5	348.6	82.0	344.4	83.5	340.1	85.1	335.9	86.6	331.5	88.3
	8	377.7	76.9	373.7	78.3	369.6	79.7	365.4	81.1	361.2	82.6	356.9	84.1	352.6	85.7	348.2	87.3	343.8	88.9
	9	391.0	77.7	386.9	79.0	382.7	80.4	378.4	81.8	374.1	83.3	369.8	84.8	365.3	86.4	360.8	87.9	356.3	89.5
	10	404.6	78.5	400.4	79.8	396.1	81.2	391.8	82.6	387.4	84.0	382.9	85.5	378.4	87.0	373.8	88.6	369.1	90.2
EBSV-140.1	6	404.3	84.9	400.4	86.5	396.5	88.2	392.5	90.0	388.4	91.7	384.3	93.6	380.0	95.4	375.7	97.3	371.4	99.2
	7	418.4	85.4	414.5	87.1	410.5	88.7	406.4	90.5	402.2	92.2	398.0	94.0	393.6	95.9	389.2	97.8	384.8	99.7
	8	432.9	86.0	428.9	87.6	424.8	89.3	420.6	91.0	416.3	92.8	412.0	94.6	407.6	96.4	403.1	98.3	398.5	100.2
	9	447.7	86.6	443.6	88.2	439.4	89.8	435.2	91.5	430.8	93.3	426.4	95.1	421.8	96.9	417.2	98.8	412.6	100.8
	10	462.9	87.2	458.7	88.8	454.4	90.4	450.1	92.1	445.6	93.9	441.1	95.6	436.4	97.5	431.7	99.4	426.9	101.3
EBSV-180.1	6	530.9	109.3	524.7	111.1	518.3	113.1	511.8	115.0	505.2	117.1	498.4	119.2	491.5	121.3	484.5	123.6	477.4	125.8
	7	550.7	110.2	544.3	112.1	537.9	114.0	531.2	115.9	524.5	118.0	517.5	120.1	510.5	122.2	503.4	124.4	496.1	126.7
	8	570.9	111.3	564.4	113.1	557.8	114.9	551.1	116.9	544.2	118.9	537.2	121.0	530.0	123.1	522.7	125.3	515.3	127.6
	9	591.6	112.3	585.0	114.1	578.3	116.0	571.5	117.9	564.4	119.9	557.3	121.9	549.9	124.1	542.5	126.3	534.9	128.5
	10	612.8	113.5	606.2	115.2	599.3	117.0	592.3	119.0	585.2	120.9	577.8	123.0	570.4	125.1	562.8	127.3	555.1	129.5

Q= Soğutma kapasitesi (kW) Cooling capacity  
N<sub>0</sub>= Kompresör mil gücü (kW) Power input

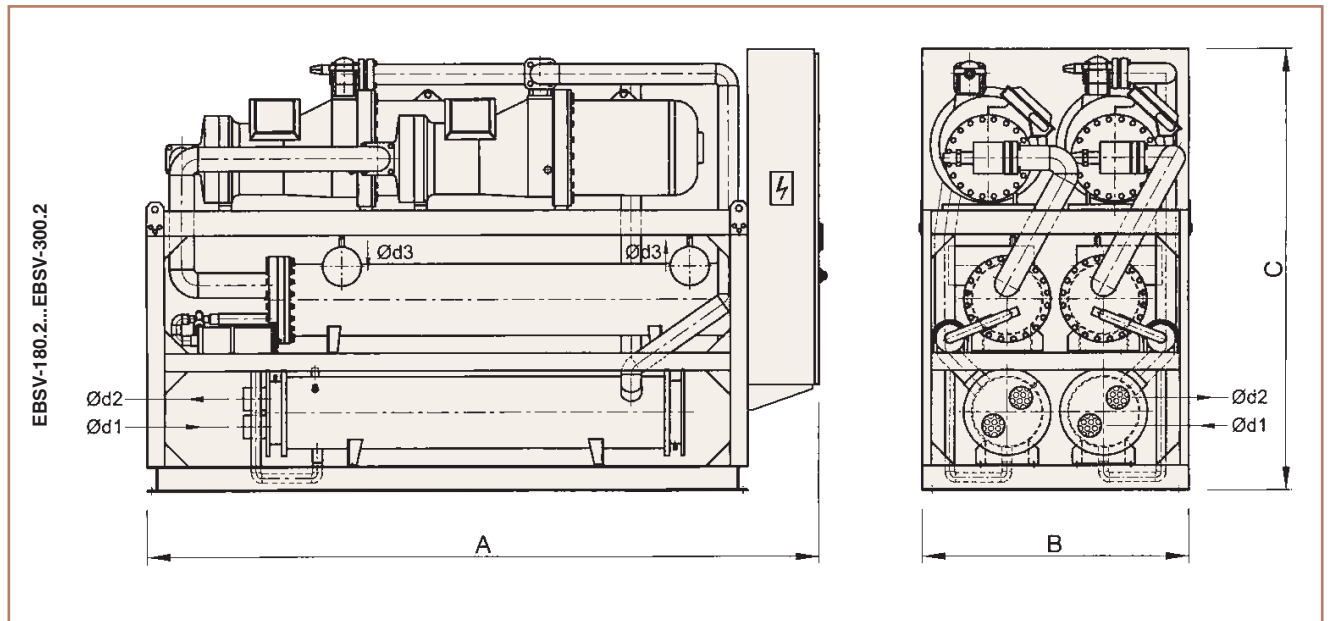
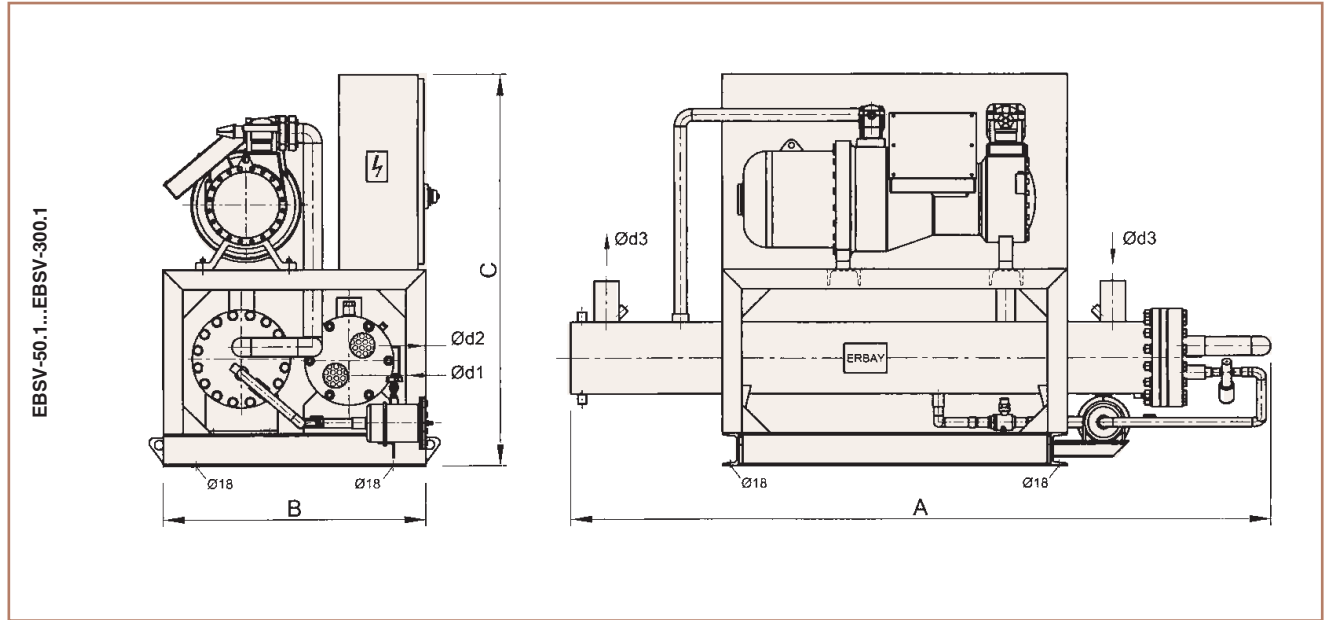
## Kapasite Tablosu Capacity Table (kW)

R22

CİHAZ TİPİ TYPE	SU ÇIKIŞI °C CHILLED WATER LEAVING	KONDENSERE SU GİRİŞ SICAKLIĞI / CONDENSER ENTERING WATER TEMP.																	
		25°C		26°C		27°C		28°C		29°C		30°C		31°C		32°C		33°C	
		Q	N <sub>0</sub>	Q	N <sub>0</sub>	Q	N <sub>0</sub>	Q	N <sub>0</sub>	Q	N <sub>0</sub>	Q	N <sub>0</sub>	Q	N <sub>0</sub>	Q	N <sub>0</sub>	Q	N <sub>0</sub>
EBSV-210.1	6	609.6	128.4	602.9	130.8	596.2	133.3	589.3	135.8	582.3	138.3	575.3	140.9	568.1	143.6	560.9	146.4	553.6	149.1
	7	631.5	129.6	624.7	131.9	617.8	134.4	610.8	136.8	603.7	139.4	596.5	142.0	589.2	144.7	581.8	147.4	574.3	150.1
	8	654.0	130.8	647.0	133.1	640.0	135.5	632.8	138.0	625.5	140.5	618.2	143.1	610.7	145.7	603.1	148.4	595.5	151.2
	9	677.0	132.1	669.9	134.4	662.7	136.7	655.4	139.2	647.9	141.7	640.4	144.2	632.7	146.8	625.0	149.5	617.2	152.3
	10	700.6	133.4	693.4	135.7	686.0	138.0	678.5	140.4	670.9	142.9	663.1	145.4	655.3	148.0	647.4	150.7	639.4	153.4
EBSV-240.1	6	697.6	143.9	691.0	146.7	684.3	149.6	677.4	152.5	670.4	155.5	663.2	158.6	656.0	161.8	648.6	165.0	641.0	168.3
	7	722.0	144.8	715.3	147.6	708.4	150.4	701.3	153.4	694.2	156.4	686.9	159.4	679.4	162.6	671.9	165.8	664.2	169.1
	8	747.0	145.7	740.1	148.5	733.0	151.3	725.9	154.2	718.5	157.2	711.1	160.3	703.5	163.4	695.7	166.7	687.9	169.9
	9	772.6	146.7	765.5	149.4	758.3	152.3	751.0	155.2	743.5	158.1	735.8	161.2	728.0	164.3	720.1	167.5	712.1	170.8
	10	798.8	147.7	791.6	150.4	784.2	153.2	776.7	156.1	769.0	159.1	761.2	162.1	753.2	165.3	745.1	168.4	736.9	171.7
EBSV-280.1	6	775.0	163.8	768.0	166.9	760.7	170.1	753.4	173.4	745.9	176.7	738.2	180.2	730.4	183.7	722.4	187.3	714.2	190.9
	7	802.1	164.7	794.9	167.7	787.6	170.9	780.1	174.2	772.5	177.5	764.7	180.9	756.8	184.5	748.7	188.1	740.4	191.7
	8	829.9	165.5	822.6	168.6	815.1	171.7	807.5	174.9	799.8	178.3	791.9	181.7	783.8	185.2	775.6	188.8	767.2	192.5
	9	858.3	166.4	850.9	169.4	843.3	172.5	835.6	175.7	827.7	179.0	819.7	182.4	811.5	185.9	803.1	189.5	794.6	193.2
	10	887.4	167.3	879.9	170.2	872.2	173.3	864.3	176.5	856.3	179.7	848.1	183.1	839.8	186.7	831.3	190.3	822.6	193.9
EBSV-300.1	6	871.8	183.3	864.0	186.8	856.2	190.5	848.2	194.2	840.2	198.1	831.9	202.0	823.6	206.0	815.2	210.0	806.6	214.0
	7	902.0	184.3	894.1	187.8	886.1	191.4	878.0	195.1	869.7	198.9	861.3	203.0	852.8	207.0	844.2	211.0	835.5	215.0
	8	932.9	185.3	924.9	188.7	916.7	192.3	908.4	195.9	900.0	199.7	891.4	204.0	882.8	208.0	874.0	212.0	865.1	216.0
	9	964.6	186.2	956.4	189.6	948.0	193.2	939.6	196.8	930.9	201.0	922.2	204.0	913.4	208.0	904.4	213.0	895.3	217.0
	10	997.1	187.2	988.7	190.6	980.1	194.1	971.5	197.7	962.7	201.0	953.8	205.0	944.7	209.0	935.6	213.0	926.3	218.0
EBSV-180.2	6	1061.8	109,3x2	1049.4	111,1x2	1036.6	113,1x2	1023.6	115,0x2	1010.4	117,1x2	996.8	119,2x2	983.0	121,3x2	969.0	123,6x2	954.8	125,8x2
	7	1101.4	110,2x2	1088.6	112,1x2	1075.8	114,0x2	1062.4	115,9x2	1049.0	118,0x2	1035.0	120,1x2	1021.0	122,2x2	1006.8	124,4x2	992.2	126,7x2
	8	1141.8	111,3x2	1128.8	113,1x2	1115.6	114,9x2	1102.2	116,9x2	1088.4	118,9x2	1074.4	121,0x2	1060.0	123,1x2	1045.4	125,3x2	1030.6	127,6x2
	9	1183.2	112,3x2	1170.0	114,1x2	1156.6	116,0x2	1143.0	117,9x2	1128.8	119,9x2	1114.6	121,9x2	1099.8	124,1x2	1085.0	126,3x2	1069.8	128,5x2
	10	1225.6	113,5x2	1212.4	115,2x2	1198.6	117,0x2	1184.6	119,0x2	1170.4	120,9x2	1155.6	123,0x2	1140.8	125,1x2	1125.6	127,3x2	1110.2	129,5x2
EBSV-210.2	6	1219.2	128,4x2	1205.8	130,8x2	1192.4	133,3x2	1178.6	135,8x2	1164.6	138,3x2	1150.6	140,9x2	1136.2	143,6x2	1121.8	146,4x2	1107.2	149,1x2
	7	1263.0	129,6x2	1249.4	131,9x2	1235.6	134,4x2	1221.6	136,8x2	1207.4	139,4x2	1193.0	142,0x2	1178.4	144,7x2	1163.6	147,4x2	1148.6	150,1x2
	8	1308.0	130,8x2	1294.0	133,1x2	1280.0	135,5x2	1265.6	138,0x2	1251.0	140,5x2	1236.4	143,1x2	1221.4	145,7x2	1206.2	148,4x2	1191.0	151,2x2
	9	1354.0	132,1x2	1339.8	134,4x2	1325.4	136,7x2	1310.8	139,2x2	1295.8	141,7x2	1280.8	144,2x2	1265.4	146,8x2	1250.0	149,5x2	1234.4	152,3x2
	10	1401.2	133,4x2	1386.8	135,7x2	1372.0	138,0x2	1357.0	140,4x2	1341.8	142,9x2	1326.2	145,4x2	1310.6	148,0x2	1294.8	150,7x2	1278.8	153,4x2
EBSV-240.2	6	1395.2	143,9x2	1382.0	146,7x2	1368.6	149,6x2	1354.8	152,5x2	1340.8	155,5x2	1326.4	158,6x2	1312.0	161,8x2	1297.2	165,0x2	1282.0	168,3x2
	7	1444.0	144,8x2	1430.6	147,6x2	1416.8	150,4x2	1402.6	153,4x2	1388.4	156,4x2	1373.8	159,4x2	1358.8	162,6x2	1343.8	165,8x2	1328.4	169,1x2
	8	1494.0	145,7x2	1480.2	148,5x2	1466.0	151,3x2	1451.8	154,2x2	1437.0	157,2x2	1422.2	160,3x2	1407.0	163,4x2	1391.4	166,7x2	1375.8	169,9x2
	9	1545.2	146,7x2	1531.0	149,4x2	1516.6	152,3x2	1502.0	155,2x2	1487.0	158,1x2	1471.6	161,2x2	1456.0	164,3x2	1440.2	167,5x2	1424.2	170,8x2
	10	1597.6	147,7x2	1583.2	150,4x2	1568.4	153,2x2	1553.4	156,1x2	1538.0	159,1x2	1522.4	162,1x2	1506.4	165,3x2	1490.2	168,4x2	1473.8	171,7x2
EBSV-280.2	6	1550.0	163,8x2	1536.0	166,9x2	1521.4	170,1x2	1506.8	173,4x2	1491.8	176,7x2	1476.4	180,2x2	1460.8	183,7x2	1444.8	187,3x2	1428.4	190,9x2
	7	1604.2	164,7x2	1589.8	167,7x2	1575.2	170,9x2	1560.2	174,2x2	1545.0	177,5x2	1529.4	180,9x2	1513.6	184,5x2	1497.4	188,1x2	1480.8	191,7x2
	8	1659.8	165,5x2	1645.2	168,6x2	1630.2	171,7x2	1615.0	174,9x2	1599.6	178,3x2	1583.8	181,7x2	1567.6	185,2x2	1551.2	188,8x2	1534.4	192,5x2
	9	1716.6	166,4x2	1701.8	169,4x2	1686.6	172,5x2	1671.2	175,7x2	1655.4	179,0x2	1639.4	182,4x2	1623.0	185,9x2	1606.2	189,5x2	1589.2	193,2x2
	10	1774.8	167,3x2	1759.8	170,2x2	1744.4	173,3x2	1728.6	176,5x2	1712.6	179,7x2	1696.2	183,1x2	1679.6	186,7x2	1662.6	190,3x2	1645.2	193,9x2
EBSV-300.2	6	1743.6	183,3x2	1728.0	186,8x2	1712.4	190,5x2	1696.4	194,2x2	1680.4	198,1x2	1663.8	202,0x2	1647.2	206,0x2	1630.4	210,0x2	1613.2	214,0x2
	7	1804.0	184,3x2	1788.2	187,8x2	1772.2	191,4x2	1756.0	195,1x2	1739.4	198,9x2	1722.6	203,0x2	1705.6	207,0x2	1688.4	211,0x2	1671.0	215,0x2
	8	1865.8	185,3x2	1849.8	188,7x2	1833.4	192,3x2	1816.8	195,9x2	1800.0	199,7x2	1782.8	204,0x2	1765.6	208,0x2	1748.0	212,0x2	1730.2	216,0x2
	9	1929.2	186,2x2	1912.8	189,6x2	1896.0	193,2x2	1879.2	196,8x2	1861.8	201,0x2	1844.4	204,0x2	1826.8	208,0x2	1808.8	213,0x2	1790.6	217,0x2
	10	1994.2	187,2x2	1977.4	190,6x2	1960.2	194,1x2	1943.0	197,7x2	1925.4	201,0x2	1907.6	205,0x2	1889.4	209,0x2	1871.2	213,0x2	1852.6	217,0x2

Q= Soğutma kapasitesi (kW) Cooling capacity  
N<sub>0</sub>= Kompresör mil gücü (kW) Power input

## Boyutlar Dimensions



TİP TYPE	EBSV- 50.1	EBSV- 60.1	EBSV- 70.1	EBSV- 80.1	EBSV- 90.1	EBSV- 110.1	EBSV- 125.1	EBSV- 140.1	EBSV- 180.1	EBSV- 210.1	EBSV- 240.1	EBSV- 280.1	EBSV- 300.1	EBSV- 180.2	EBSV- 210.2	EBSV- 240.2	EBSV- 280.2	EBSV- 300.2
<b>A</b>	2300	2300	2600	2600	2600	2900	2900	3200	3250	3500	3700	4000	4300	3800	4000	4300	4600	5000
<b>B</b>	1050	1050	1100	1100	1100	1250	1250	1250	1400	1400	1400	1450	1450	1500	1500	1500	1500	1500
<b>C</b>	1415	1415	1585	1585	1600	1650	1650	1650	1800	1800	1800	1800	1800	2500	2500	2500	2500	2500
<b>d1</b>	2 1/2"	2 1/2"	3"	3"	3"	DN100	D100	DN100	DN125	DN125	DN150	DN150	DN150	2xDN125	2xDN125	2xDN150	2xDN150	2xDN150
<b>d2</b>	2 1/2"	2 1/2"	3"	3"	3"	DN100	DN100	DN100	DN125	DN125	DN150	DN150	DN150	2xDN125	2xDN125	2xDN150	2xDN150	2"DN150
<b>d3</b>	3"	3"	DN100	DN100	DN100	DN125	DN125	DN125	DN150	DN150	DN200	DN200	DN200	2xDN150	2xDN150	2xDN200	2xDN200	2xDN200

Not: Ölçü ve dizayn deęiřtirme hakkımız mahfuzdur.

Note: We reserve the right to make changes in dimensions and design at any time, without notice